

M.2 2242 (3D NAND)

SATA 6.0Gbps
SN4S-GP / RN4S-GP / HN4S-GP Series



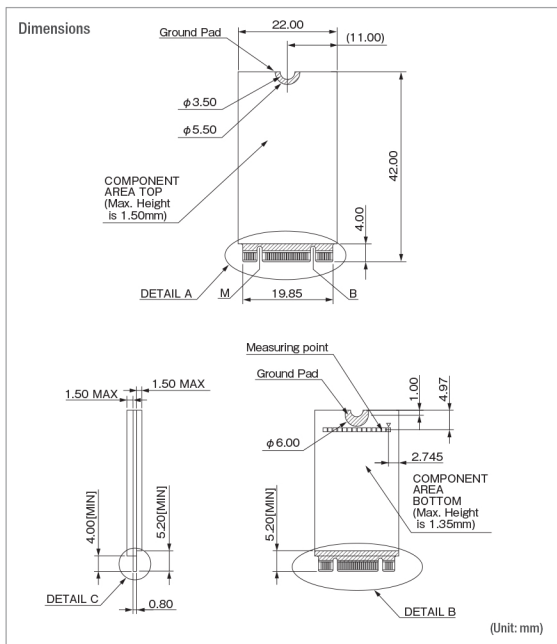
Flash Memory		TLC	MLC mode	SLC mode
Capacity		60 GB to 240 GB	40 GB to 320 GB	20 GB to 160 GB
Host Interface		SATA 6.0Gbps		
Operating Voltage		3.3V±5%		
Operating Temperature	Commercial Temperature	0°C to 70°C		
	Wide Temperature	-40°C to 85°C		
Storage Temperature		-45°C to 90°C		
Operating Humidity		~ 85% (No Condensation)		
Storage Humidity		~ 95% (No Condensation)		
Dimensions (mm)		22.0 × 42.0 × 3.85		
DRAM Cache		-		
Performance	Sequential Read (MB/s)	495	495	495
	Sequential Write (MB/s)	280	430	310
	Random Read (IOPS)	51,000	50,000	42,000
	Random Write (IOPS)	48,000	46,000	48,000
TBW*	20GB	-	-	580
	40GB	-	110	1,160
	60GB	45	-	-
	80GB	-	230	2,380
	120GB	90	-	-
	160GB	-	480	4,860
	240GB	180	-	-
	250GB	-	-	-
	320GB	-	1,000	-
	480GB	-	-	-
	500GB	-	-	-
	640GB	-	-	-
	960GB	-	-	-
	1000GB	-	-	-
	2000GB	-	-	-
	Power Consumption (mA)	Read (max.)	305	305
Write (max.)		395	530	400
Idle		120	125	125
DevSleep		3	5	3
Warranty		1 year		

*TBW is based on JEDEC 219 Client workload.



Feature	TLC	MLC mode	SLC mode
Static Wear Leveling	●	●	●
Refresh	●	●	●
Patrol Function	●	●	●
Read Retry	●	●	●
Power Loss Alert	●	●	●
Fixed BOM	●	●	●
TCG Opal 2.0	○	○	○
S.M.A.R.T.	●	●	●
Life Indicator LED	●	●	●
DevSleep	●	●	●
Wide Temperature	●	●	●
Power Loss Recovery	●	●	●
Live Monitor	●	●	●
Live Drive Monitor	●	●	●
Thermal Sensor	●	●	●
RoHS	●	●	●
A1S	●	●	●

● Default ○ Optional



Operating Temperature	TLC	MLC mode	SLC mode
0°C to 70°C	SN4S-xxxGP00SN	RN4S-xxxGP00SN	HN4S-xxxGP00SN
-40°C to 85°C	SN4S-xxxGP00JI	RN4S-xxxGP00JI	HN4S-xxxGP00JI