

M.2 (K series)

SATA6.0Gbps

2242size KFDM4S-GK Series

2280size KFDM8S-GJ Series



The SATA 6.0 Gbps model of M.2 features the high stability and reliability required of industrial machinery.

Product features

● Stable Transmission Speed

Based on the uniquely developed FTL (flash translation layer), the model reduces the garbage collection that causes degraded speed. The models provides continuous access at overwhelming speed and stability!

● Fast random access

With our unique page mapping method, it achieves faster random access while enhancing reliability.

● Prolonged Lifetime

The reduced access frequency of the NAND flash prolongs the service life with page mapping and 4K alignment processing.

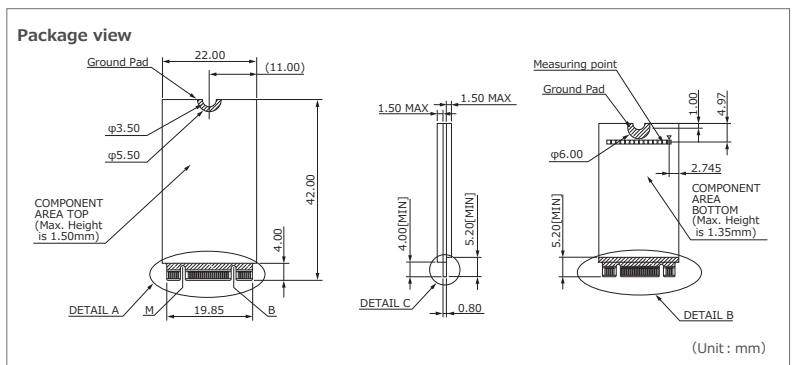
● Power Shutoff Durability

Device damage is prevented by the unique recovery function for any instantaneous power outages or a sudden power shutdown.

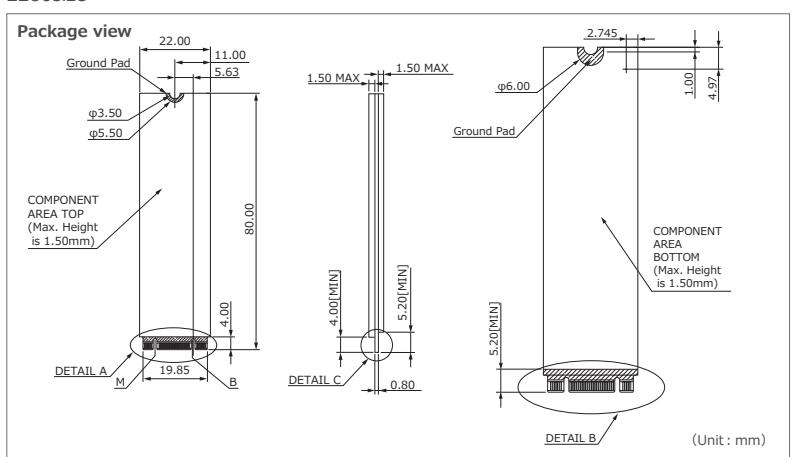
● Protection of Memory management of area

The memory management information necessary for SSD operation is stored in a storage area with guaranteed reliability. This prevents the SSD failure caused by reaching the rewrite limit of the management information storage area before that of user data.

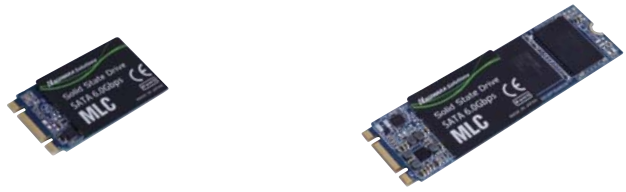
2242size



2280size



MLC 2242size	●	●	●	●	●	●	●	-	-	●	-	-	●	-
MLC 2280size	●	●	●	●	●	●	●	-	-	●	-	-	●	-



Product Specifications

Flash Type		MLC 2242 size	MLC 2280 size
Capacity		30GB~480GB	120GB~960GB
interface		SATA 6.0Gbps	
Power SUPPLY Voltage		3.3V±5%	
Operating temperature	Standard	0℃~70℃	
	Wide temperature	-40℃~85℃	-
Storage temperature		-45℃~90℃	
Operating Humidity		~85% (non condensing)	
Storage Humidity		~95% (non condensing)	
Dimensions (mm)		22.0 × 42.0 × 3.85	22.0 × 80.0 × 3.85
DRAM Cache		-	●
Performance	Sequential read (MB/s)	430	460
	Sequential write (MB/s)	410	430
	Random read (IOPS)	77000	67000
	Random write (IOPS)	76000	76000
TBW (TB) ※1	30GB	45	-
	60GB	90	-
	120GB	181	257
	240GB	262	514
	480GB	544	1028
	960GB	-	2057
Current consumption (mA)	Read (Max)	280	800
	Write (Max)	275	1350
	Idle mode (typ.)	105	80
	DevSleep mode (typ.)	-	-
Warranty period		1year	

※1 Total Byte Written (TBW) is calculated as write load conditions on the basis of "JEDEC 219 Client (Solid-State drive Requir

Product lineup

		30GB	60GB	120GB	240GB	480GB	960GB
MLC 2242size	0~70℃	KFDM4S-030GK (A**MH)	KFDM4S-060GK (A**MH)	KFDM4S-120GK (A**MH)	KFDM4S-240GK (A**MH)	KFDM4S-480GK (A**MH)	-
	-40~85℃	KFDM4S-030GK (A**MHS)	KFDM4S-060GK (A**MHS)	KFDM4S-120GK (A**MHS)	KFDM4S-240GK (A**MHS)	KFDM4S-480GK (A**MHS)	-
MLC 2280size	0~70℃	-	-	KFDM8S-120GJ (A**MH)	KFDM8S-240GJ (A**MH)	KFDM8S-480GJ (A**MH)	KFDM8S-960GJ (A**MH)

* management number

HAGIWARA Solutions

Hagiwara Solutions Co., Ltd.

Nagoya Headquarters
8F Pacific square NagoyaNishiki, 2-5-12Nishiki, Nakaku, Nagoya city, Aichi 460-0003, Japan
TEL.+81-52-223-1301
FAX.+81-52-223-1303

Tokyo Branch Office
7F NK-Shinwa building, 5-1 Kojimachi, Chiyoda-ku, Tokyo 102-0081, Japan
TEL.+81-3-3556-5016
FAX.+81-3-3556-5018

Osaka Branch Office
8F Meiji Yasuda Life Insurance Company Osaka Midosuji building, 4-1-1 Fushimi-tyo, Chuo-ku, Osaka city, Osaka 541-0044, Japan
TEL.+81-6-6223-5011
FAX.+81-6-6223-5012

Fukuoka Sales Office
4F Higashihie square building, 3-12-16 Higashihie, Hakata-ku, Fukuoka city, Fukuoka 812-0007, Japan
TEL.+81-92-477-8207
FAX.+81-92-477-8208

<http://www.hagisol.com>

Inquiries hssupport@hagisol.co.jp

- The company names and product names noted herein are trademarks or registered trademarks.
- The content of this catalog is subject to change without notice due to development and other factors.
- Hagiwara Solutions is not responsible for any loss or damage that may be incurred based to the content of this catalog.

Hagiwara Sys-Com US

23272 Mill Creek Drive, STE220
Laguna Hills, CA 92653 U.S.A.

Phone: +1-949-756-2028

sales@hsc-us.com

www.hsc-us.com