

USB Flash Drive (USB2.0)

Complete fixed specification of parts model
 Specification of main parts model



High level reliability and stability based on the complete solidification of parts
 A reliable USB Flash Drive that can be used for industrial devices

Product features

● Completely fixed specifications

The product of the same type number is always configured using identical parts. The stability of operation is guaranteed without interchangeability problems. In addition, the completely fixed parts allow the submission of environmental documents.

● Adoption of high mechanical strength casing

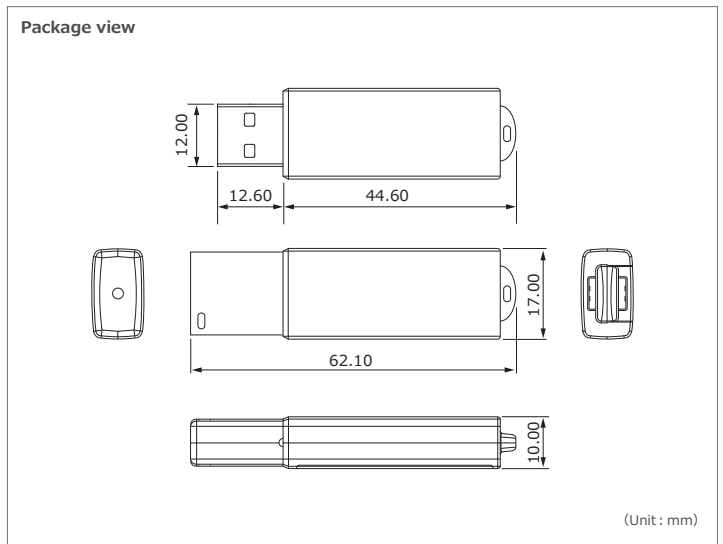
The casing is resistant to vibration/shock and bending/twisting and enhances product strength.

● The lineup of SLC models of high reliability

The lineup includes implemented NAND flash memory SLC with excellent data sustainability and rewriting durability. Security is enhanced when used for long-term operation or frequent rewrite applications.

● High environmental durability performance

Extended operating temperature range of 0 to 70 degrees. Enhanced environmental durability results in stability of operation for a wide range of devices.



	Grid	Refresh Function	Read retry Function	Power loss guard Function	Off line scan	Fixed specifications	RoHS	Key	Shield	Speaker	Light	USB 2.0	Lightning	Live Monitor
Complete specification of parts model (SLC)	●	-	-	-	-	●	●	-	-	●	-	-	●	●
Complete specification of parts model (MLC)	●	-	-	-	-	●	●	-	-	●	-	-	●	●
Specification of parts model (MLC)	●	-	-	-	-	△	●	-	-	-	-	-	-	-

■ Static wear leveling ■ Refresh Function ● Read retry Function ▲ Power loss guard Function ○ Off line scan ▲ Fixed specifications **RoHS** RoHS compatibility 🔒 FDE (Encryption) ● Implementation ○ Option
 ■ TCG Opal2.0 (1) Lifetime Notification Function 💡 Lifetime Notification LED ⏸ DevSleep Function ⚡ Power Shut Off Durability 🌡 Wide temperature 📄 Environmental Documents 📺 LiveMonitor



Product Specifications

Flash Type		Complete specification of parts model (SLC)	Complete specification of parts model (MLC)	Specification of main parts model (MLC)
Capacity		128MB~32GB	2GB~64GB	4GB~64GB
interface		USB 2.0 (High Speed) / USB 1.1 (Full Speed)		
Power SUPPLY Voltage		5.0V±5%		
Operating temperature		0℃~70℃	0℃~70℃	0℃~50℃
Storage temperature		-20℃~+85℃		
Operating Humidity		~85% (non condensing)		
Storage Humidity		~85% (non condensing)		
Dimensions (mm)		62.1 × 17.0 × 8.00		
Performance	Sequential read (MB/s)	25	26	26
	Sequential write (MB/s)	20	14	14
Current consumption (mA)	Read (Max)	90	100	100
	Write (Max)	90	100	100
	Idle mode (typ.)	40	50	50
Warranty period		1year		

Product lineup

		128MB	512MB	1GB	2GB	4GB	8GB	16GB	32GB	64GB
Complete specification of parts model (SLC)	0~70℃	UBA2-128MSRB (TBAIA)	UBA2-512MSRB (TBAIA)	UBA2-001GSRB (TBAIA)	UBA2-002GSRB (TBAIA)	UBA2-004GSRB (TBAIA)	UBA2-008GSRB (TBAIA)	UBA2-016GSRB (TBAIA)	UBA2-032GSRB (TBAIA)	-
Complete specification of parts model (MLC)	0~70℃	-	-	-	UBA2-002GH (A00MH)	UBA2-004GH (A00MH)	UBA2-008GH (A00MH)	UBA2-016GH (A00MH)	UBA2-032GH (A00MH)	UBA2-064GH (A00MH)
Specification of main parts model (MLC)	0~50℃	-	-	-	-	UBB2-004G0 (A00MH)	UBB2-008G0 (A00MH)	UBB2-016G0 (A00MH)	UBB2-032G0 (A00MH)	UBB2-064G0 (A00MH)

The customized solution menu

Case	Device settings	Others
<ul style="list-style-type: none"> • Logo printing (silk printing) • Logo printing (ink printing) ※Full color printing is available • Control number printing (Serial number) • Labeling of control number 	<ul style="list-style-type: none"> • Data writing before shipment 	<ul style="list-style-type: none"> • Submission of USB Serial number list • Individual box packaging

HAGIWARA Solutions

Hagiwara Solutions Co., Ltd.

Nagoya
Headquarters

8F Pacific square NagoyaNishiki, 2-5-12Nishiki,
Nakaku, Nagoya city, Aichi 460-0003, Japan
TEL.+81-52-223-1301
FAX.+81-52-223-1303

Tokyo
Branch
Office

7F NK-Shinwa building, 5-1 Kojimachi,
Chiyoda-ku, Tokyo 102-0081, Japan
TEL.+81-3-3556-5016
FAX.+81-3-3556-5018

Osaka
Branch
Office

8F Meiji Yasuda Life Insurance Company Osaka Midosuji building,
4-1-1 Fushimi-tyo, Chuo-ku, Osaka city, Osaka 541-0044, Japan
TEL.+81-6-6223-5011
FAX.+81-6-6223-5012

Fukuoka
Sales
Office

4F Higashihie square building, 3-12-16 Higashihie,
Hakata-ku, Fukuoka city, Fukuoka 812-0007, Japan
TEL.+81-92-477-8207
FAX.+81-92-477-8208

<http://www.hagisol.com>

Inquiries

hssupport@hagisol.co.jp

- The company names and product names noted herein are trademarks or registered trademarks.
- The content of this catalog is subject to change without notice due to development and other factors.
- Hagiwara Solutions is not responsible for any loss or damage that may be incurred based to the content of this catalog.

Hagiwara Sys-Com US

23272 Mill Creek Drive, STE220
Laguna Hills, CA 92653 U.S.A.

Phone: +1-949-756-2028

sales@hsc-us.com

www.hsc-us.com