

# CFast (3D NAND)

SATA 6.0Gbps  
SN1S-GP / RN1S-GP / HN1S-GP Series



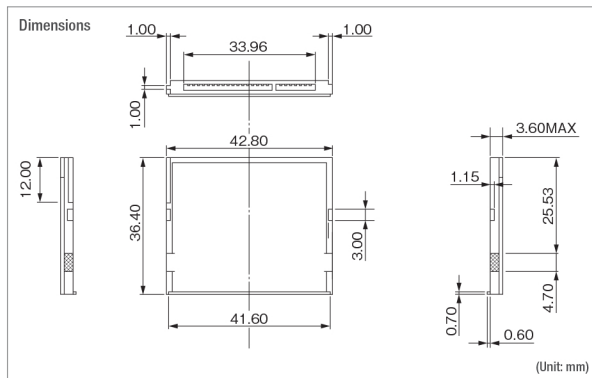
Flash Memory		TLC	MLC mode	SLC mode
Capacity		60 GB to 240 GB	40 GB to 320 GB	20 GB to 160 GB
Host Interface		SATA 6.0Gbps		
Operating Voltage		3.3V±5%		
Operating Temperature	Commercial Temperature	0°C to 70°C		
	Wide Temperature	-40°C to 85°C		
Storage Temperature		-45°C to 90°C		
Operating Humidity		~ 85% (No Condensation)		
Storage Humidity		~ 95% (No Condensation)		
Dimensions (mm)		42.8 × 36.4 × 3.6		
DRAM Cache		●	●	●
Performance	Sequential Read (MB/s)	495	495	495
	Sequential Write (MB/s)	315	430	430
	Random Read (IOPS)	52,000	55,000	57,000
	Random Write (IOPS)	48,000	52,000	51,000
TBW*	20GB	-	-	580
	40GB	-	110	1,160
	60GB	45	-	-
	80GB	-	230	2,380
	120GB	90	-	-
	160GB	-	480	4,860
	240GB	180	-	-
	320GB	-	1,000	-
Power Consumption (mA)	Read (max.)	435	320	435
	Write (max.)	565	585	580
	Idle	165	120	170
	DevSleep	3	3	3
Warranty		1 year		

\*TBW is based on JEDEC 219 Client workload.



Mode	Static Wear Leveling	Refresh	Patrol	Read Retry	Power Loss Alert	Fixed BOM	TCG Opal 2.0	S.M.A.R.T.	Life Indicator LED	DevSleep	Wide Temperature	Power Loss Recovery	Live Monitor	Live Drive Monitor	Thermal Sensor	RoHS	AIS
TLC	●	●	●	●	●	●	○	●	-	●	●	●	●	●	●	●	●
MLC mode	●	●	●	●	●	●	○	●	-	●	●	●	●	●	●	●	●
SLC mode	●	●	●	●	●	●	○	●	-	●	●	●	●	●	●	●	●

Static Wear Leveling 
 Refresh 
 Patrol Function 
 Read Retry 
 Power Loss Alert 
 Fixed BOM 
 TCG Opal 2.0 
 S.M.A.R.T. 
 Life Indicator LED 
 DevSleep 
 Wide Temperature 
 Power Loss Recovery 
 Live Monitor 
 Live Drive Monitor 
 Thermal Sensor 
 RoHS Compliant 
 Article Information Sheet 
 ●: Default ○: Optional



## Part Number

Operating Temperature	TLC	MLC mode	SLC mode
0°C to 70°C	SN1S-xxxGP00SN	RN1S-xxxGP00SN	HN1S-xxxGP00SN
-40°C to 85°C	SN1S-xxxGP00J	RN1S-xxxGP00J	HN1S-xxxGP00J