

M.2 2280 (3D NAND)

SATA 6.0Gbps
KN8S-GN Series (K series)

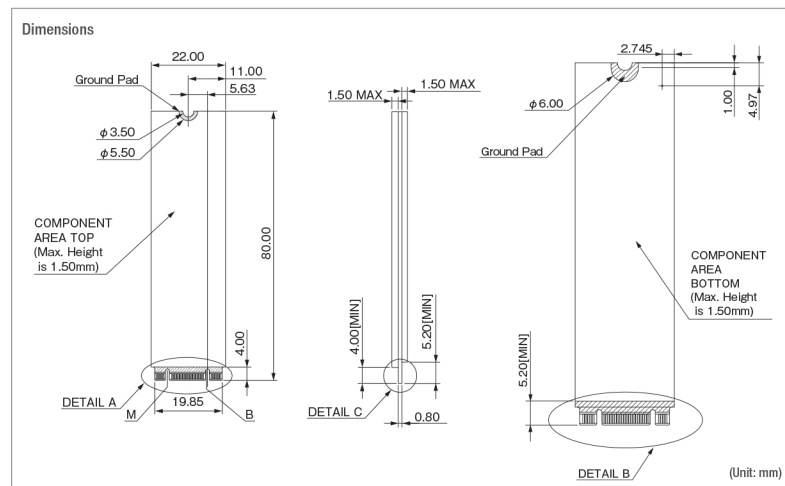


Flash Memory		TLC
Capacity		250 GB to 2000 GB
Host Interface		SATA 6.0Gbps
Operating Voltage		3.3V±5%
Operating Temperature		0°C to 70°C
Storage Temperature		-45°C to 90°C
Operating Humidity		~ 85% (No Condensation)
Storage Humidity		~ 95% (No Condensation)
Dimensions (mm)		22.0 × 80.0 × 3.85
DRAM Cache		●
Performance	Sequential Read (MB/s)	T.B.D.
	Sequential Write (MB/s)	
	Random Read (IOPS)	
	Random Write (IOPS)	
TBW*	20GB	T.B.D.
	40GB	-
	60GB	-
	80GB	-
	120GB	-
	160GB	-
	240GB	-
	250GB	330
	320GB	-
	480GB	-
	500GB	700
	640GB	-
Power Consumption (mA)	Read (max.)	T.B.D.
	Write (max.)	
	Idle	
	DevSleep	
Warranty		1 year

*TBW is based on JEDEC 219 Client workload.



TLC	●	●	●	●	●	●	●	●	●	●	●	●	●	●	●	●	●	●	●	●
Static Wear Leveling Refresh Patrol Function Read Retry Power Loss Alert Fixed BOM TCG Opal 2.0 S.M.A.R.T. Life Indicator LED DevSleep Wide Temperature Power Loss Recovery Live Drive Monitor Thermal Sensor RoHS A15	●	●	●	●	●	●	●	●	●	●	●	●	●	●	●	●	●	●	●	●
Device Sleep Wide Temperature Power Loss Recovery Live Drive Monitor Drive Monitor Thermal Sensor RoHS Article Information Sheet	●	●	●	●	●	●	●	●	●	●	●	●	●	●	●	●	●	●	●	●



Part Number	Operating Temperature	TLC
	0°C to 70°C	KN8S-xxxGN00SN