

USB Memory (USB3.0)

Complete fixed specification of parts model
Specification of main parts model



High level reliability and stability based on the complete solidification of parts
A reliable USB Flash Drive that can be used for industrial devices

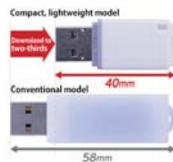
Product features

● Completely fixed specifications

The product of the same type number is always configured using identical parts. The stability of operation is guaranteed without interchangeability problems. In addition, the completely fixed parts allow the submission of environmental documents.

● Small models with enhanced stability signal quality is added to our lineup.

Smaller and lighter new model was released. This new model is smaller by 2/3 from previous model with enhanced stable signal quality and physical strength.

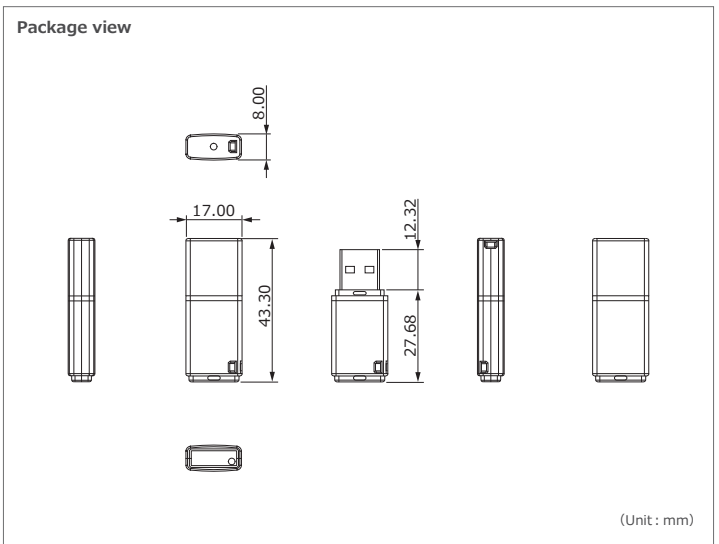


● The lineup of SLC models of high reliability

The lineup includes implemented NAND flash memory SLC with excellent data sustainability and rewriting durability. Security is enhanced when used for long-term operation or frequent rewrite applications.

● Supporting USB 3.0

It is time efficient by supporting USB 3.0 which has high speed data transfer.



	Static wear leveling	Refresh Function	Read retry Function	Power loss guard Function	Off line scan	Fixed specifications	RoHS	RoHS compatibility	FDE (Encryption)	Implementation	Option	Live Monitor
Complete specification of parts model (SLC)	●	-	-	-	-	●	●	-	●	-	-	●
Complete specification of parts model (MLC)	●	-	-	-	-	●	●	-	●	-	-	●
Specification of parts model (MLC)	●	-	-	-	-	△	●	-	-	-	-	-



Product Specifications

Flash Type		Complete specification of parts model (SLC)	Complete specification of parts model (MLC)	Specification of main parts model (MLC)
Capacity		2GB~16GB	4GB~32GB	4GB~32GB
interface		USB3.0 (Super Speed) / USB 2.0 (High Speed) / USB 1.1 (Full Speed)		
Power SUPPLY Voltage		5.0V±5%		
Operating temperature		0℃~70℃	0℃~70℃	0℃~50℃
Storage temperature		-20℃~+85℃		
Operating Humidity		~85% (non condensing)		
Storage Humidity		~85% (non condensing)		
Dimensions (mm)		43.3 × 17.0 × 8.00		
Performance	Sequential read (MB/s)	40	145	145
	Sequential write (MB/s)	30	37	37
Current consumption (mA)	Read (Max)	220	210	210
	Write (Max)	220	210	210
	Idle mode (typ.)	130	130	130
Warranty period		1year		

Product lineup

		2GB	4GB	8GB	16GB	32GB
Complete specification of parts model (SLC)	0~70℃	USA3-002GH(B00SE)	USA3-004GH(B00SE)	USA3-008GH(B00SE)	USA3-016GH(B00SE)	-
Complete specification of parts model (MLC)	0~70℃	-	USA3-004GH(B00MH)	USA3-008GH(B00MH)	USA3-016GH(B00MH)	USA3-032GH(B00MH)
Specification of main parts model (MLC)	0~50℃	-	USB3-004GH(B00MH)	USB3-008GH(B00MH)	USB3-016GH(B00MH)	USB3-032GH(B00MH)

The customized solution menu

Case	Device settings	Others
<ul style="list-style-type: none"> • Logo printing (silk printing) • Logo printing (ink printing) ※Full color printing is available • Control number printing (Serial number) • Labeling of control number 	<ul style="list-style-type: none"> • Data writing before shipment 	<ul style="list-style-type: none"> • Submission of USB Serial number list • Individual box packaging

HAGIWARA Solutions

Hagiwara Solutions Co., Ltd.

Nagoya Headquarters
8F Pacific square NagoyaNishiki, 2-5-12Nishiki, Nakaku, Nagoya city, Aichi 460-0003, Japan
TEL.+81-52-223-1301
FAX.+81-52-223-1303

Tokyo Branch Office
7F NK-Shinwa building, 5-1 Kojimachi, Chiyoda-ku, Tokyo 102-0081, Japan
TEL.+81-3-3556-5016
FAX.+81-3-3556-5018

Osaka Branch Office
8F Meiji Yasuda Life Insurance Company Osaka Midosuji building, 4-1-1 Fushimi-tyo, Chuo-ku, Osaka city, Osaka 541-0044, Japan
TEL.+81-6-6223-5011
FAX.+81-6-6223-5012

Fukuoka Sales Office
4F Higashihie square building, 3-12-16 Higashihie, Hakata-ku, Fukuoka city, Fukuoka 812-0007, Japan
TEL.+81-92-477-8207
FAX.+81-92-477-8208

<http://www.hagisol.com>

Inquiries hsolupport@hagisol.co.jp

- The company names and product names noted herein are trademarks or registered trademarks.
- The content of this catalog is subject to change without notice due to development and other factors.
- Hagiwara Solutions is not responsible for any loss or damage that may be incurred based to the content of this catalog.

Hagiwara Sys-Com US

23272 Mill Creek Drive, STE220
Laguna Hills, CA 92653 U.S.A.

Phone: +1-949-756-2028

sales@hsc-us.com

www.hsc-us.com