

HalfSlim

SATA6.0Gbps
XFDHSS-GD / LFDHSS-GD Series



Size is half of 1.8" HDD.

The new SATA 6.0 Gbps Model is a high-speed SSD with stable speed and less degrading of data transmission speed during continuous access.

Product features

● Onboard life warning LED

The onboard LED will report the SSD status by lighting up when the end of the service life is approaching. This will allow the user to visually grasp the end of life of an SSD and prevent sudden failures. And the function is compatible with our lifetime diagnostic monitoring software LiveMonitor. The precise service life prediction is possible in the customer's actual operating environment.

● Randomizer Function

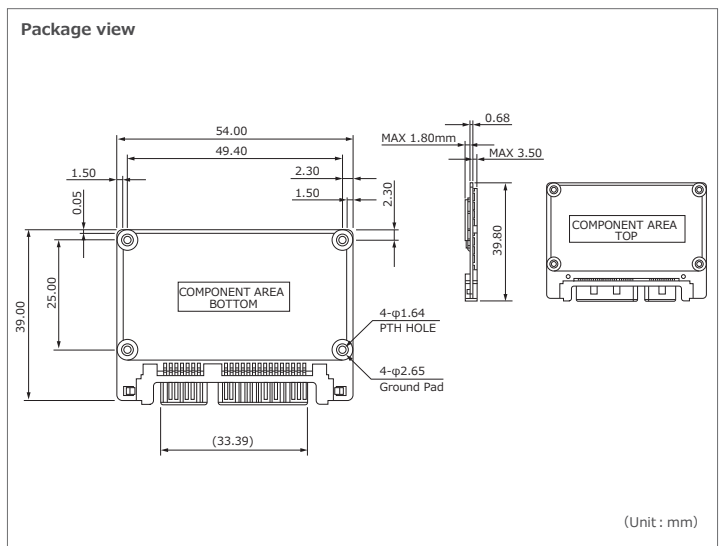
Random data pattern writing reduces the probability of an error and avoids the continuation of identical data for enhanced reliability by reducing the errors.

● Read Retry Function

A function to read the correct data even in a block with dropped data sustainability by repeated reading with a new voltage threshold.

● Supported SMART monitoring tool.

We can offer complement SMART monitoring tool called "Livemonitor". It also allows to check internal condition with access analysis.



Q-MLC	Static wear leveling	Refresh Function	Read retry Function	Power loss guard Function	Off line scan	Fixed specifications	RoHS	FDE (Encryption)	Implementation	Option
Q-MLC	●	●	●	●	●	●	○	○	●	●
MLC	●	●	●	●	●	●	○	○	●	●



Product Specifications

Flash Type		Q-MLC	MLC
Capacity		15GB~120GB	30GB~240GB
interface		SATA 6.0Gbps	
Power SUPPLY Voltage		5.0V±10%	
Operating temperature	Standard	0℃~70℃	
	Wide temperature	-25℃~85℃	
Storage temperature		-45℃~90℃	
Operating Humidity		~85% (non condensing)	
Storage Humidity		~95% (non condensing)	
Dimensions (mm)		39.00 × 54.00 × 5.98	
DRAM Cache		●	●
Performance	Sequential read (MB/s)	440	440
	Sequential write (MB/s)	115	115
	Random read (IOPS)	31,000	31,000
	Random write (IOPS)	28,000	28,000
TBW (TB) ※1	15GB	91	-
	30GB	180	18
	60GB	360	36
	120GB	730	73
	240GB	-	150
Current consumption (mA)	Read (Max)	240	240
	Write (Max)	255	255
	Idle mode (typ.)	80	80
	DevSleep mode (typ.)	-	-
Warranty period		1year	

※1 Total Byte Written (TBW) is calculated as write load conditions on the basis of "JEDEC 219 Client (Solid-State drive Requir

Product lineup

		15GB	30GB	60GB	120GB	240GB
Q-MLC	0~70℃	XFDHSS-015GD (A**AH)	XFDHSS-030GD (A**AH)	XFDHSS-060GD (A**AH)	XFDHSS-120GD (A**AH)	-
	-25~85℃	XFDHSS-015GD (A**AHS)	XFDHSS-030GD (A**AHS)	XFDHSS-060GD (A**AHS)	XFDHSS-120GD (A**AHS)	-
MLC	0~70℃	-	LFDHSS-030GD (A**AH)	LFDHSS-060GD (A**AH)	LFDHSS-120GD (A**AH)	LFDHSS-240GD (A**AH)
	-25~85℃	-	LFDHSS-030GD (A**AHS)	LFDHSS-060GD (A**AHS)	LFDHSS-120GD (A**AHS)	LFDHSS-240GD (A**AHS)

* management number

HAGIWARA Solutions

Hagiwara Solutions Co., Ltd.

Nagoya Headquarters
8F Pacific square NagoyaNishiki, 2-5-12Nishiki, Nakaku, Nagoya city, Aichi 460-0003, Japan
TEL.+81-52-223-1301
FAX.+81-52-223-1303

Tokyo Branch Office
7F NK-Shinwa building, 5-1 Kojimachi, chiyoda-ku, Tokyo 102-0081, Japan
TEL.+81-3-3556-5016
FAX.+81-3-3556-5018

Osaka Branch Office
8F Meiji Yasuda Life Insurance Company Osaka Midosuji building, 4-1-1 Fushimi-tyo, Chuo-ku, Osaka city, Osaka 541-0044, Japan
TEL.+81-6-6223-5011
FAX.+81-6-6223-5012

Fukuoka Sales Office
4F Higashihie square building, 3-12-16 Higashihie, Hakata-ku, Fukuoka city, Fukuoka 812-0007, Japan
TEL.+81-92-477-8207
FAX.+81-92-477-8208

<http://www.hagisol.com>

Inquiries hsolupport@hagisol.co.jp

- The company names and product names noted herein are trademarks or registered trademarks.
- The content of this catalog is subject to change without notice due to development and other factors.
- Hagiwara Solutions is not responsible for any loss or damage that may be incurred based to the content of this catalog.

Hagiwara Sys-Com US

23272 Mill Creek Drive, STE220
Laguna Hills, CA 92653 U.S.A.

Phone: +1-949-756-2028

sales@hsc-us.com

www.hsc-us.com