



C Fast™

Evolution of the CompactFlash®

1.0-inch solid-state drive with SATA interface

Same footprint as CompactFlash®

The MFD10S series flash drive is a 1.0-inch CFAST solid state / non-volatile data storage device based on single-level cell (SLC) NAND flash technology. Supports capacities up to 32GB.

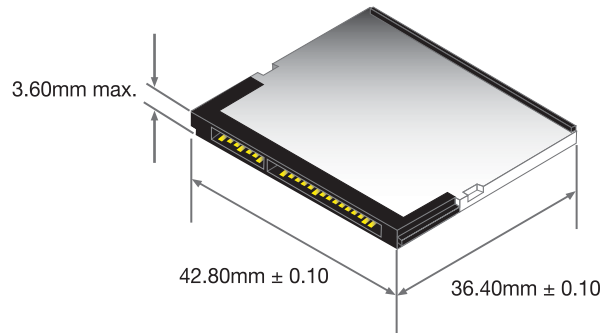
The CFAST™ Storage Card contains a single chip controller and flash memory module(s) in a matchbook-sized package with a 7+17-pin connector consisting of a SATA compatible 7 pin signal connector and a 17 pin power and control connector. The controller interfaces with a host system allowing data to be written to and read from the flash memory module(s).

Features:

- Pre-Screened SLC NAND Flash
- Secure Erase
- Password Lock
- Partition Based Write Protect
- SMART

Features via CFAST pins:

- Hardware Write Protect
- Access LED
- Drive Health LED



CFAST™ Type I dimensions

Specifications

Interface	SATA-1 / SATA-2		
Capacity	2GB to 32GB (32GB schedule for Q2/2011 release)		
Transfer Rate	110MB/sec. (read) / 80MB/sec. (write)		
Pin Type	7 pin (signal) + 17 pin (power/control)		
Voltage	3.3V ± 5%		
Power Consumption	400mA (active mode) / 200mA (standby mode)		
Operating Temp.	-40°C to +85°C		
Form Factor	Type I	Length	36.40mm ± 0.15
		Width	42.80mm ± 0.10
		Thickness (including label)	3.60mm max.
Connector Durability	10,000 mating cycles, without exceeding low-level contact resistance		

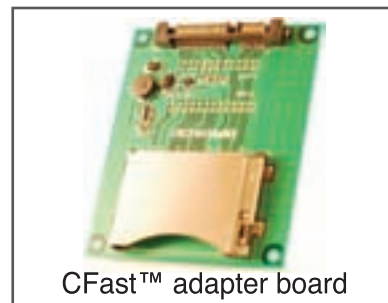
*Specifications subject to change

Development Support:

CFAST development kits - CFAST device, CFAST to SATA adapter board and spec sheets.

If you are interested in receiving information regarding the CFAST and the development kit, please contact us via email at sales@hsc-us.com or call us at **949-756-2028**.

Host Connector Questions? Contact us!



CFAST™ adapter board



The CFA logo and CFAST are trademarks of the CompactFlash Association. For more information on the CFAST interface, please visit www.compactflash.org For more information on Serial ATA Revision 2.6, visit Serial ATA International Organization at www.serialata.org